

# CHAdeMO to GB/T adapter

Use for connect the charging cable on a CHAdeMO charging station to a GB/T vehicle that has been enabled for DC charging. It is very convenient to place this adapter into car rear hatch.

## Specification

Current*	125A DC MAX CONT
Voltage	100~500V DC
Enclosure Rating	IP54
Operating Temperature	-22°F to 122°F -30°C to +50°C
Storage Temperature	-40°F to +185°F -40°C to +85°C
Weight (kg/Pound)	3.6kg / 7.92 lb

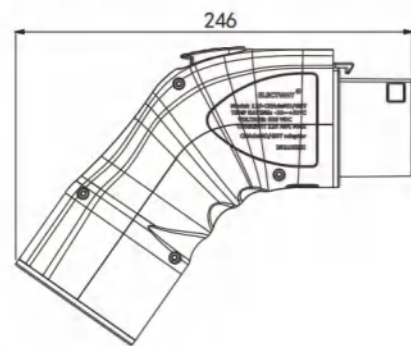


## External interface

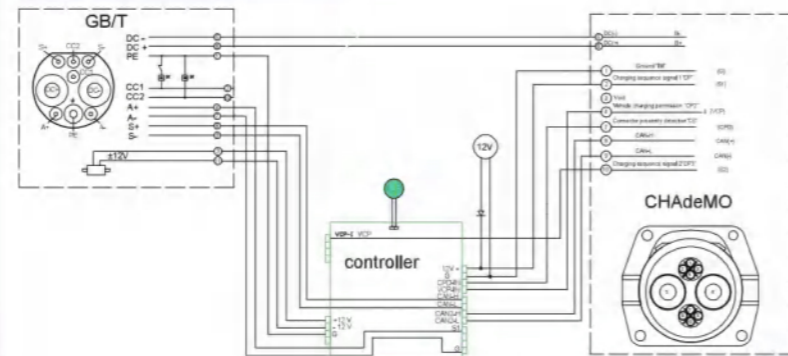
► We offer USB port for updating firmware



## Dimension



## Schematic



Vehicle side support brand	Charger side support brand

# CCS1 to GB/T adapter

Use for connect the charging cable on a CCS1 charging station to a GB/T vehicle that has been enabled for DC charging. It is very convenient to place this adapter into car rear hatch.

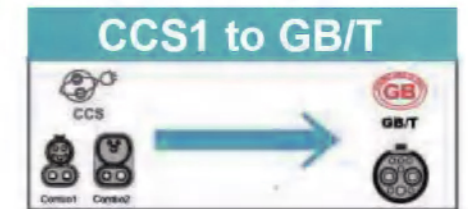
## Specification

Current*	200A DC MAX CONT
Voltage	100~950V DC
Enclosure Rating	IP54
Operating Temperature	-22°F to 122°F -30°C to +50°C
Storage Temperature	-40°F to +185°F -40°C to +85°C
Weight (kg/Pound)	3.6kg / 7.92 lb

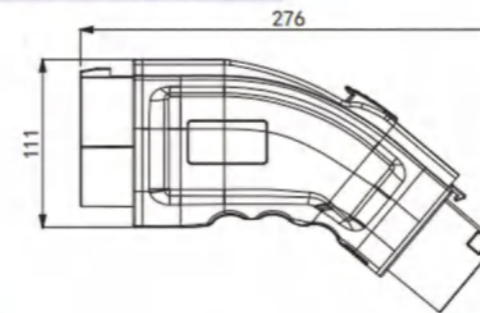


## External interface

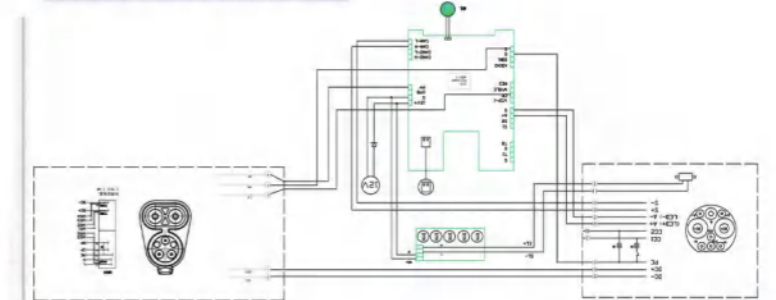
- We offer USB port for updating firmware
- We offer 12V port to input power supply



## Dimension



## Schematic



Vehicle side support brand	Charger side support brand