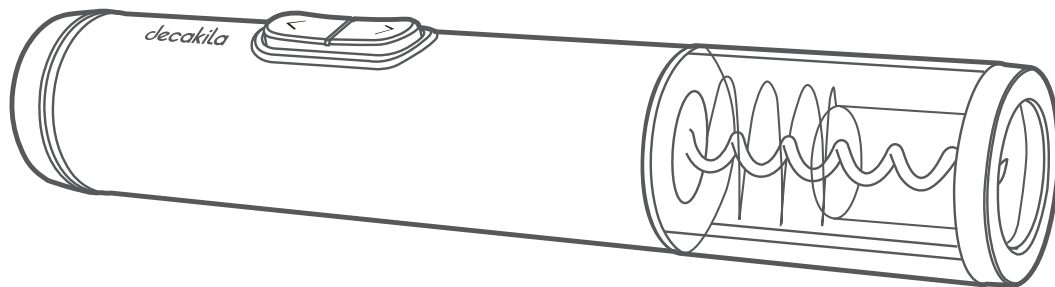


decakila



KMTT002W  
BOTTLE OPENER





# CONTENTS

IMPORTANT SAFEGUARDS	01
KNOW YOUR OPENER	02
BEFORE FIRST USE	03
CLEANING AND MAINTENANCE	03

## IMPORTANT SAFEGUARDS

Before using the electrical appliance, the following basic precautions should always be followed including the following:

- Read all instructions.

This product uses #5 LR6 AA 1.5V Alkaline battery ×4.

- The battery minute “+” “-” loads, cannot install instead.

- The non-rechargeable battery cannot charge.

- The rechargeable battery can only charge under the adult guardianship.

- The rechargeable battery should take out before the charge from the toy.

- The different type's battery or the new old battery cannot mix use.

- Exhausts the battery should take out from the toy.

- The battery post do not short-circuit.

- The battery cannot do for the toy lets the child play, in order to avoid has the danger.

- The use of attachments not recommended or sold by the manufacturer may cause fire, electric shock or injury

- Avoid contacting with moving parts.

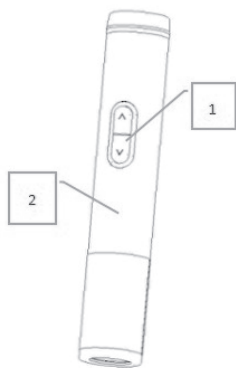
- Keep hands, clothing, as well as spatulas and other utensils away from beaters during operation to reduce the risk of injury to persons, and/or damage to the mixer.

- This appliance is not intended for used by persons (including children) with reduced physical, sensory or mental capabilities, or lack of experience and knowledge, unless they have been given supervision or instruction concerning use of the appliances by a person responsible for their safety.

- Children should be supervised to ensure that they do not play with the appliance.

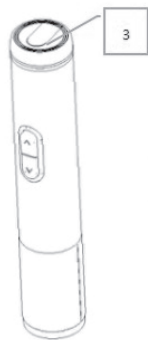
- Save these instructions.

# KNOW YOUR OPENER

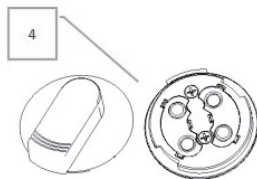


1. Up/Down Switch

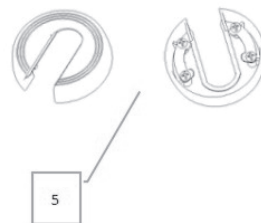
2. Wine Opener



3. Top Cover Asm



4. Battery Cover

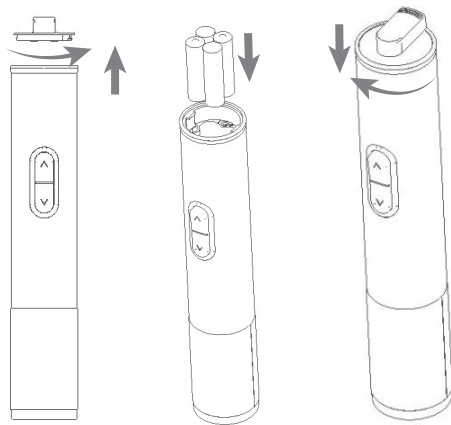


5. Foil Cutter

## BEFORE FIRST USE

### 1. Install Battery

- Rotate to open the battery cover. (see Fig. 1)
- Install 4 AA batteries in the right direction. (see Fig. 2)
- Rotate to close the battery cover. (see Fig. 3)



### 2. Open the wine

- Put the cutter into a wine bottle, and then press the cutter and rotate the cutter 180 degrees.
- Hold the bottle by one hand, and align main unit to opener's hole position. Then press top switch button, the unit start working. The spiral pole will get into cork slowly. Continue to press the top switch button. Take out the unit and press lower switch button when the unit stop working, and the cork start to turning outside. Release the switch button when the cork completely get out from the bottle. Place the unit and cutter on the cover, and throw away the cork.

## CLEANING AND MAINTENANCE

Wipe wine opener and charging base with a damp cloth or sponge. To remove stubborn spots, use a mild nonabrasive cleanser





# decakila

---



decakila



decakila

Made in China Jiangsu China. 2021.D02

[www.decakila.com](http://www.decakila.com) Global Links Technology Co. Pte. Ltd.