

TRANSPORTATION AND STORAGE

- Avoid shock and dampness during transportation
- Avoid strong sunshine and rain during storage.

ATTENTION

- Please read this instruction manual carefully before you use the scale.
- If it has not be used for long time, please recharge it once 2 months at least, and keep the power switch on “off” status to avoid discharge of accumulator.
- LCD of the scale must to be operated under rich light, you are advised to select product with backlight under low light condition.
- Avoid collision when you put the weighting object on the scale.
- It is strictly prohibited to use strong chemical solvent to clean the surface.
- Please clean the scale with dry or wet dishcloth. Washing it with water is strictly prohibited.
- Please doesn't use the same power equipment will influence the weighing.

CAUTION

- If the price window displays “---Lb---” when the weight window displays “-----”, it means the voltage of the accumulator is low. Under this condition, you can use the scale in a short time, but you should plug in the AC plug as soon as possible to recharge the accumulator, please recharge the accumulator for more than 12hours.
- The battery and pan is not included in free maintain warrant.
- This scale needs to be periodically served to professional institutions for calibration, such as in the case of trade settlement disputes, the user assumes responsibility.
- The weight window displays “-----” with continuously alarm sound when the weight over 100%FS+9d.
- If the voltage of the accumulator is low, the price window displays “---Lb---” while the weight window displays zero (The price display will recover to normal when it is loaded).
Under this condition, you can use the scale in a short time, but you should plug as soon as possible to recharge the accumulator.
- The weight window displays “FUHHH” or “FULLL” when the zero weight is higher or lower than the permitted range.

CALIBRATION AND FUNCTION SETTINGS

How to calibrate the scale?

Press 7616 → press tare → press 3 → put 5kg or 10kg calibration weight on plate → insert corresponding weight → press tare, that's all, finish. Press ADD or Turn off the switch to exit.

How to set MAX capacity and accuracy?

Press 7616 → press tare → press 1 to change the MAX capacity / press 2 to change the accuracy → press 0 to save it, that's all, finish.

How to open the units change function?

Press 168 → press tare → press 166 → press tare, then, press CHG/SET key to change kilograms/pounds.

Press 168 → press tare → press 155 → press tare to close the function.

How to set the STABLE/HOLD function?

Press 168 → press tare → press 37 → press tare, open it.
Press 168 → press tare → press 38 → press tare, close it.

How to set the zero position?

Press 168 → press tare → press 50 → press tare → press ADD → press tare, that's all, finish.

How to set UNIT price window decimal?

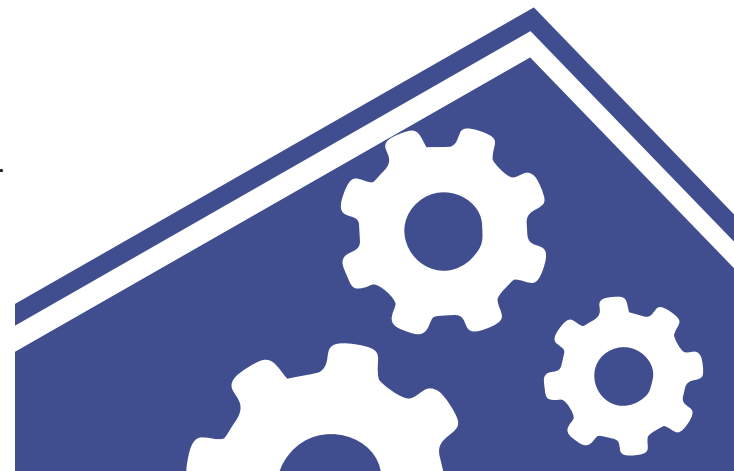
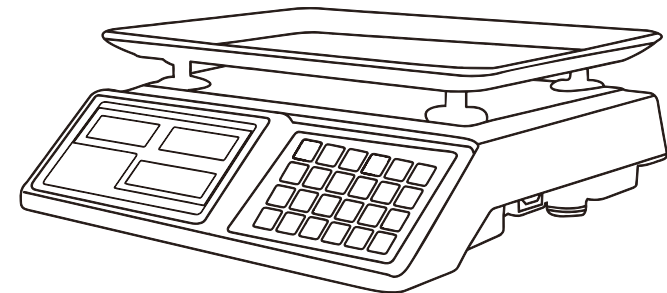
Press 168 → press tare → press 30 → press tare, no decimal.
Press 168 → press tare → press 31 → press tare, 1 decimal.
Press 168 → press tare → press 32 → press tare, 2 decimal.

How to store your phone number?

Press 168 → press tare → press 111 → press tare → press C → insert your number → press tare, that's all, finish.

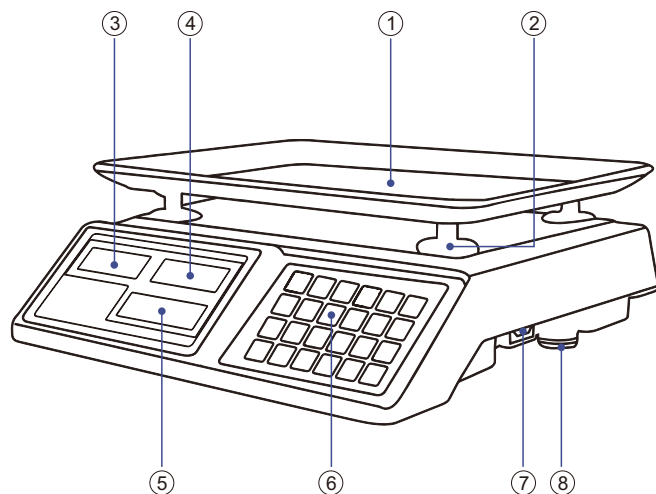


ACS & TCS Electronic Weighing Scale Manual



PRODUCT DESCRIPTION

*The scale must to be placed on a stable and flat platform. You should adjust four underside bolt to make the scale in horizontal position, the switch on the power (put on special weighing pan first if necessary). The scale can't be used in tare state for long time, otherwise the auto zero-tracing function will be invalid, and the zero point will excursion.

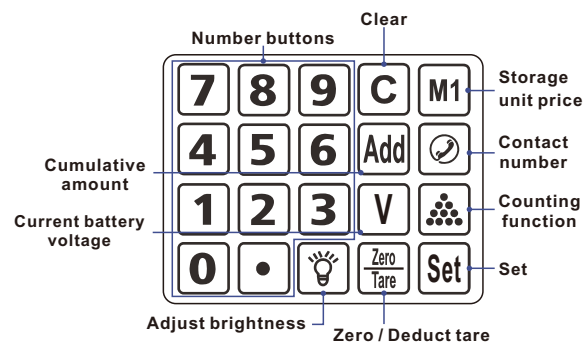
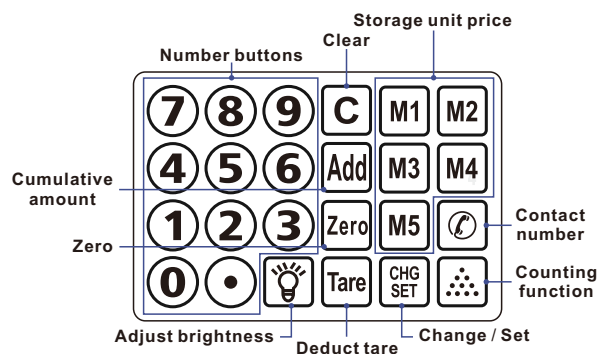


① Weighing pan Tray plate / Flat plate	② Weighing pan feet To prevent insects from entering
③ Weight window Display the weight of the object	④ Unit price window Display the entered unit price
⑤ Total window Show total amount	⑥ Function button Enter unit price and settings
⑦ Power cord interface Connect to the power	⑧ Adjustable feet Applicable to uneven surface

SPECIFICATION

- Rechargeable accumulator inside, you can use the scale during recharging.
- Auto zero-setting when switch on the scale.
- Auto zero-tracing.
- Power supply: AC 200V ($\pm 10\%$)/50HZ, DC 4V/4Ah (Rechargeable accumulator inside).
- Working temperature range: $0^{\circ}\text{C} \sim +40^{\circ}\text{C}$
- Relative humidity: $\leq 85\% \text{RH}$

KEY DESCRIPTION



- [0] ~ [9] key: Input the unit price, from the right to the left circularly, press any number key to clear the former unit price after 3 seconds, meanwhile this number is inputted.

- [.] key: radix point press, input the integer part before press and decimal fraction after press the key.
- [C] key: Press this key to clear the inputted unit price under weighing state.
- [ADD] key: Press this key to accumulate the money, and the "ADD" symbol is appeared, the weight window displays "Add", the unit price window displays "----", "-----" means the accumulated times, the price window displays the total money. Press any number key to exit from this state with the memory of accumulating held, and then the scale comes back to weighing state and waits for the next accumulating.
- [Zero/Tare] key: Set the weight window to zero. (Range of tare setting: weight: $\leq 1/3 \text{F.S}$)
*Press this key, set the weight window to zero, and the "Zero/Tare" symbol is appeared.
*Take away the weight object, the weight window displays negative, press [Zero/Tare] key again, set the weight window to zero, and the "Tare" symbol is disappeared.
- [Light] key: This key is the back-light key. Press this key to turn off the backlight or turn on the backlight. Starting up default is to display the backlight automatically.
- [Phone] key: This is the customer service phone. Press this key, three windows show "customer service phone" and press any key to exit.
- [Counting] key: This is the counting key, press this key, put a number of products, input the number of products, press this key to set sampling to complete, can achieve counting function. Press this key again to exit.
- [SET] key:
*Press this key to enter change function (it's no use when price window display zero or "-----"), when the weight window display "—PAY—", unit price and price window display "----", clew to enter the price needed to charge. Then press "0-9" number key to enter the charged price and displayed in the unit price window, when the price entered is higher than original counting price, the price window will display the present change number. In this state, press "clear" key can clear the inputted charge price and the unit price and price window will show "-----" to clew to enter new charge price. Press the [SET] key again, the scale will exit change function to be in weighing state.
*Long hold down this key, The amount window display "SAVE", input unit price, save in [M1]